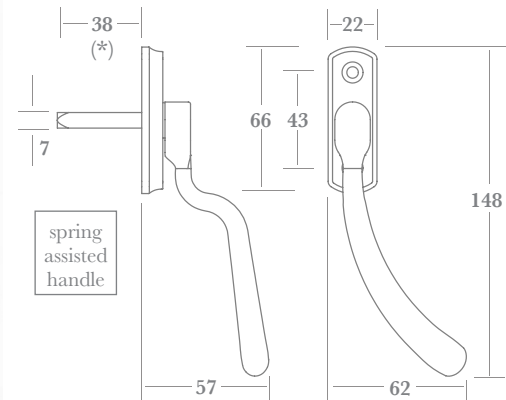
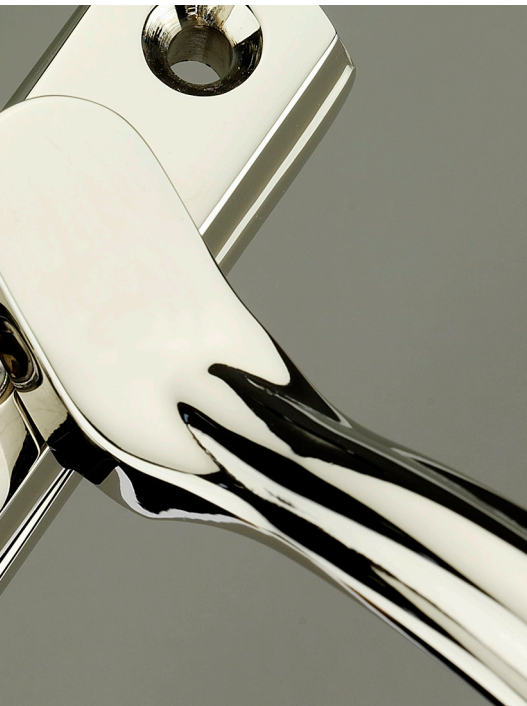


# Espagnolette Handles

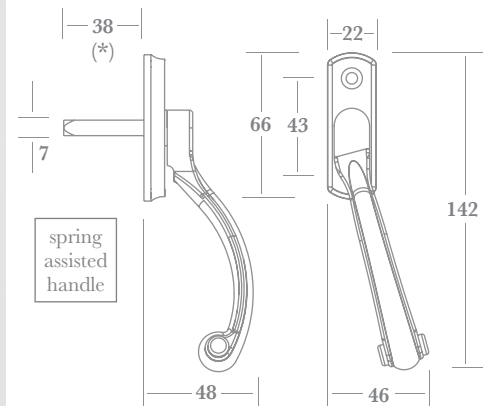
Three traditional period Espagnolette Handles designed to operate multipoint window mechanisms, all feature spring assistance for positive open and closed positioning.

A lockable version with removable key is also available, as is an optional 8mm adaptor sleeve.



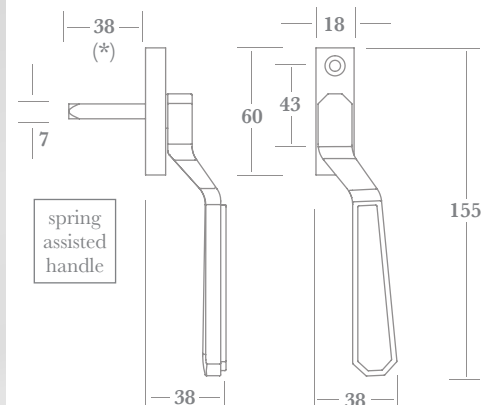
(\*) other lengths available upon request

▲ 0350 (RH shown)



(\*) other lengths available upon request

▲ 0355 (RH shown)



(\*) other lengths available upon request

▲ 9585 (RH shown)

## Fixings

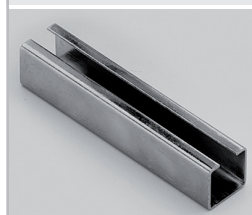
Supplied with finish matched M5 x 40mm machine screws and fitted spindle.

## How to Order

- 1) select HANDLE (e.g. 0350)
- 2) choose LOCKING OPTION if required (e.g. 0350LK)
- 3) add FINISH (e.g. 0350PB, or 0350LK/PB)
- 4) add HANDING (e.g. 0350PB/LH, or 0350LK/PB/LH).

NB. An adaptor sleeve is available for locking mechanisms with an 8mm hub (e.g. 0350PB/LH/8MM).

**Finishes** - See our price list or website for finish availability.



▲ optional 8mm adaptor sleeve (stainless steel)



▲ LK version with nickel plated key



# Espagnolette Handles

Three classic and two contemporary Espagnolette Handles designed to operate multipoint window mechanisms, each featuring spring assistance for positive open and closed positioning. A lockable version with removable key is also available.



## Fixings

Supplied with finish matched M5 x 40mm machine screws and fitted spindle.

## How to Order

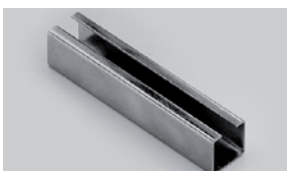
- 1) select HANDLE (e.g. **0306**)
- 2) choose LOCKING OPTION if required (e.g. 0306**LK**)
- 3) add FINISH (e.g. 0306**PB**, or 0306LK/**PB**)
- 4) add HANDING (e.g. 0306PB/**LH**, or 0306LK/PB/**LH**).

NB. An adaptor sleeve is available for locking mechanisms with an 8mm hub (e.g. 0306LK/PB/LH/**8MM**).

**Finishes** - See our price list or website for finish availability.



**LK** version with nickel plated key



optional 8mm adaptor sleeve (stainless steel)



▲ 0292

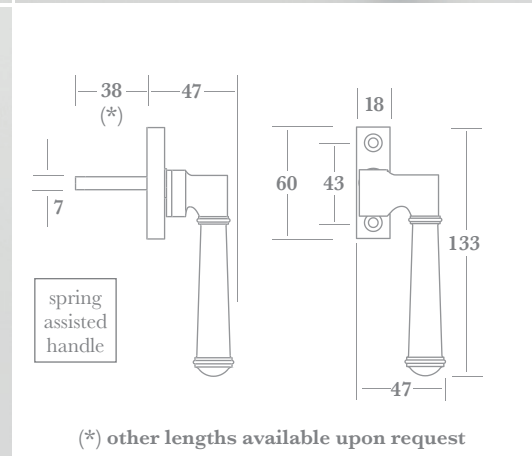


▲ 0308



▲ 0306

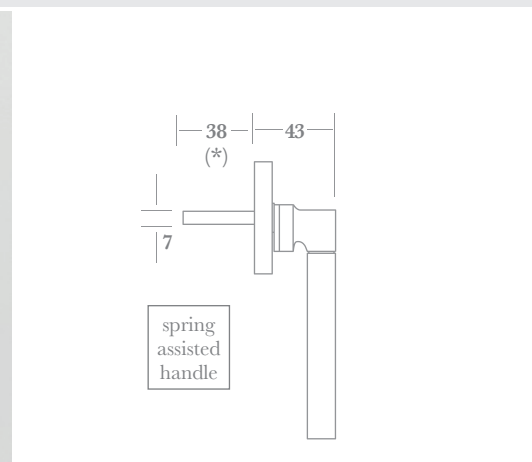
(RH shown)



(\* other lengths available upon request

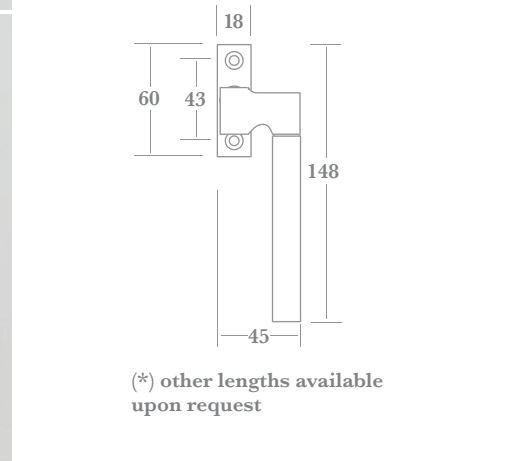


▲ 0351



▲ 0352

(RH shown)



(\* other lengths available upon request

# Espagnolette Handles

Four classic and one monkey tail design Espagnolette Handle's for the operation of multipoint window mechanisms, each featuring spring assistance for positive open and closed positioning.

A lockable version with removable key is also available, and optional 8mm adaptor sleeve.



▲ 0290



▲ 0300



▲ 0302



▲ 0304

## Fixings

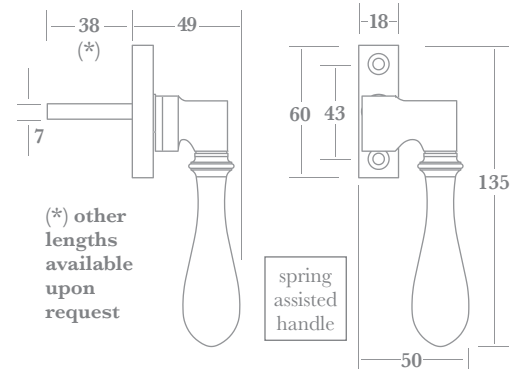
Supplied with finish matched M5 x 40mm machine screws and fitted spindle.

## How to Order

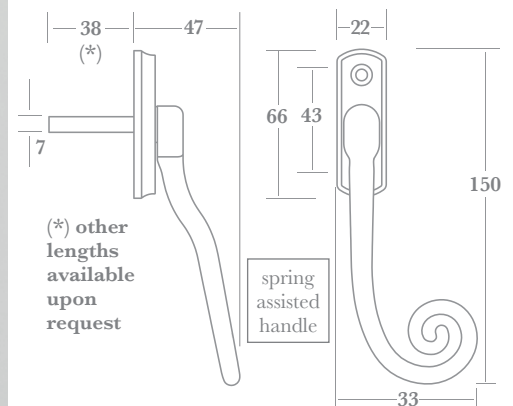
- 1) select HANDLE (e.g. 0302)
- 2) choose LOCKING OPTION if required (e.g. 0302LK)
- 3) add FINISH (e.g. 0302PB, or 0302LK/PB)
- 4) add HANDING (e.g. 0302PB/LH, or 0302LK/PB/LH).

NB. An adaptor sleeve is available for locking mechanisms with an 8mm hub (e.g. 0302LK/PB/LH/8MM).

**Finishes** - See our price list or website for finish availability.



▲ 0360



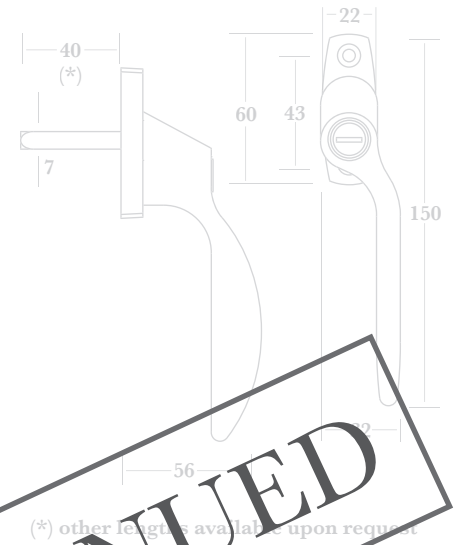
# Espagnolette Handles

Espagnolette Handle for the operation of multipoint window mechanisms. Available with an optional 8mm adaptor sleeve if required.



two nickel plated keys supplied

▲ 0358 (RH shown)

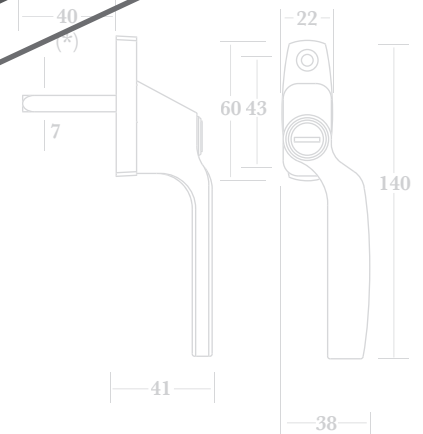


(\*) other lengths available upon request



two nickel plated keys supplied

▲ 0359 (RH shown)



(\*) other lengths available upon request

## Fixings

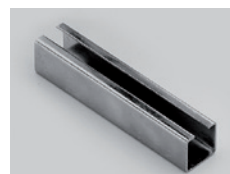
Supplied with finish matched M5 x 40mm machine screws and fitted spindle.

## How to Order

- 1) select HANDLE (e.g. 0361)
- 2) add FINISH (e.g. 0361PB)
- 3) add HANDING (e.g. 0361PB/LH).

NB. An adaptor sleeve is available for locking mechanisms with an 8mm hub (e.g. 0361PB/LH/8MM).

**Finishes** - See our price list or website for finish availability.



▲ optional 8mm adaptor sleeve (stainless steel)

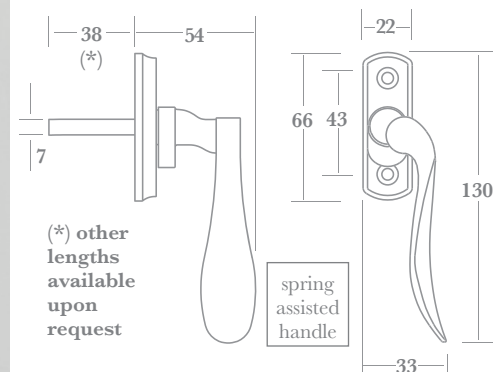


0361LK with nickel plated key



RH shown

▲ 0361



(\*) other lengths available upon request

spring assisted handle

## CYLINDER FINISHES 0358 & 0359

Please note: We offer two cylinder lock finishes - Brass or Nickel. The most appropriate will be supplied to match the product finish chosen.

Please contact us should you have a specific preference.

